

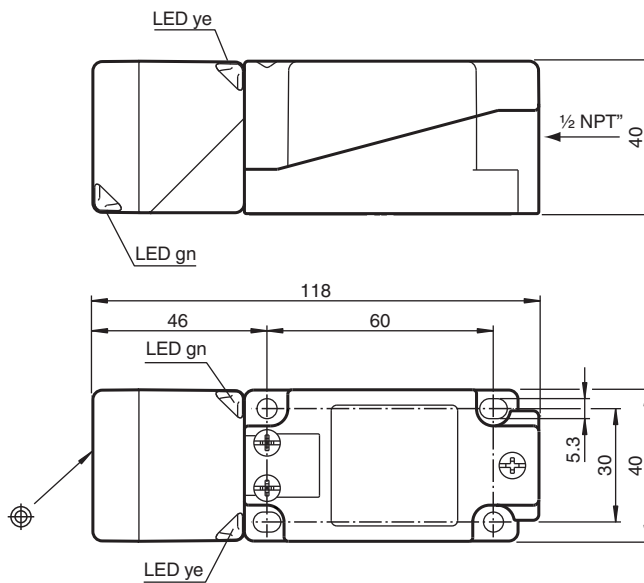


## Inductive sensor NBB20-U4-E2-C

- Sensor head bidirectional and rotatable
- 20 mm flush
- 3-wire DC
- 4 LEDs indicator for 360° visibility



### Dimensions



### Technical Data

#### General specifications

|                            |       |                         |
|----------------------------|-------|-------------------------|
| Switching function         |       | Normally open (NO)      |
| Output type                |       | PNP                     |
| Rated operating distance   | $s_n$ | 20 mm                   |
| Installation               |       | flush                   |
| Output polarity            |       | DC                      |
| Assured operating distance | $s_a$ | 0 ... 16.2 mm           |
| Actual operating distance  | $s_r$ | 18 ... 22 mm typ. 20 mm |
| Reduction factor $r_{Al}$  |       | 0.33                    |
| Reduction factor $r_{Cu}$  |       | 0.31                    |

Release date: 2022-06-22 Date of issue: 2022-06-22 Filename: 203027\_eng.pdf

Refer to "General Notes Relating to Pepperl+Fuchs Product Information".

Pepperl+Fuchs Group  
www.pepperl-fuchs.com

USA: +1 330 486 0001  
fa-info@us.pepperl-fuchs.com

Germany: +49 621 776 1111  
fa-info@de.pepperl-fuchs.com

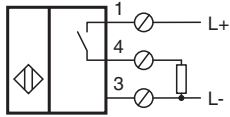
Singapore: +65 6779 9091  
fa-info@sg.pepperl-fuchs.com

 PEPPERL+FUCHS

## Technical Data

|   |       |  |
|---|-------|--|
| Reduction factor $r_{304}$                      |       | 0.74   |
| Reduction factor $r_{Brass}$                    |       | 0.41   |
| Output type                                     |       | 3-wire   |
| <b>Nominal ratings</b>                          |       |  |
| Operating voltage                               | $U_B$ | 10 ... 30 V DC   |
| Switching frequency                             | $f$   | 0 ... 5 Hz   |
| Hysteresis                                      | $H$   | typ. 5 %   |
| Reverse polarity protection                     |       | reverse polarity protected   |
| Short-circuit protection                        |       | pulsing  |
| Voltage drop                                    | $U_d$ | $\leq 3$ V   |
| Operating current                               | $I_L$ | 0 ... 200 mA   |
| Off-state current                               | $I_r$ | 0 ... 0.5 mA   |
| No-load supply current                          | $I_0$ | $\leq 20$ mA   |
| Time delay before availability                  | $t_v$ | 300 ms   |
| Constant magnetic field                         | $B$   | 150 mT   |
| Alternating magnetic field                      | $B$   | 150 mT   |
| Operating voltage indicator                     |       | LED, green   |
| Switching state indicator                       |       | LED, yellow  |
| <b>Functional safety related parameters</b>     |       |  |
| MTTF <sub>d</sub>                               |       | 1420 a   |
| Mission Time ( $T_M$ )                          |       | 20 a   |
| Diagnostic Coverage (DC)                        |       | 0 %  |
| <b>Compliance with standards and directives</b> |       |  |
| Standard conformity                             |       |  |
| Standards                                       |       | EN 60947-5-2:2007<br>EN 60947-5-2/A1:2012<br>IEC 60947-5-2:2007<br>IEC 60947-5-2 AMD 1:2012  |
| <b>Approvals and certificates</b>               |       |  |
| UL approval                                     |       | cULus Listed, General Purpose  |
| CCC approval                                    |       | CCC approval / marking not required for products rated $\leq 36$ V   |
| <b>Ambient conditions</b>                       |       |  |
| Ambient temperature                             |       | -25 ... 85 °C (-13 ... 185 °F)   |
| <b>Mechanical specifications</b>                |       |  |
| Connection type                                 |       | screw terminals  |
| Information for connection                      |       | A maximum of two conductors with the same core cross section may be mounted on one terminal connection!<br>tightening torque 1.2 Nm + 10 % |
| Core cross section                              |       | up to 2.5 mm <sup>2</sup>  |
| Minimum core cross-section                      |       | without wire end ferrule 0.5 mm <sup>2</sup> , with connector sleeves 0.34 mm <sup>2</sup>   |
| Maximum core cross-section                      |       | without wire end ferrule 2.5 mm <sup>2</sup> , with connector sleeves 1.5 mm <sup>2</sup>  |
| Housing material                                |       | PA/metal with epoxy powder coating   |
| Sensing face                                    |       | PA   |
| Housing base                                    |       | metal  |
| Degree of protection                            |       | IP68 / IP69K   |
| Mass  |       | 225 g  |
| Note  |       | Tightening torque: 1.8 Nm (housing)  |

## Connection



## Accessories

|  |                    |  |
|--|--------------------|--|
|  | <b>MHW 01</b>      | Modular mounting bracket                 |
|  | <b>MH 04-2681F</b> | Mounting aid for VariKont, +U1+ and +U9* |

Release date: 2022-06-22 Date of issue: 2022-06-22 Filename: 203027\_eng.pdf